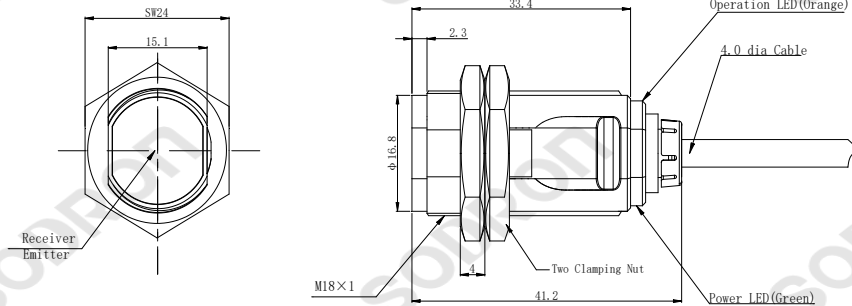




Dimension



Model

Technical parameters

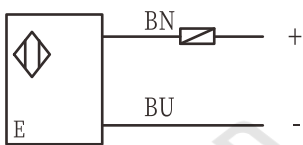
PM18-T□B□W□(E)

Product Features

- Through beam
- IEC IP65

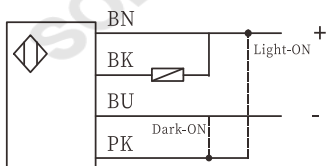
Connection

Transmitter

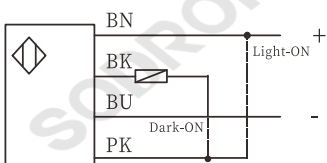


Receiver

NPN



PNP



Sensing method		Through beam		
Model	NPN	PM18-T05BNW	PM18-T10BNWS	PM18-T20BNWR
	PNP	PM18-T05BPW	PM18-T10BPWS	PM18-T20BPWR
Sensing distance		5m	10m	20m
Standard target		> Φ7mm (Opaque object)		
Output mode		Light-ON/Dark-ON (Wire switching)		
Light source		850nm Infrared LED	630nm Red LED	
Supply power		DC 12~24V ±10% , impulse (P-P) <10%		
Directivity angle		> 2°		
Residual voltage		<2V (Load Current: ≤100mA)		
Current consumption		Transmitter < 10 mA; Receiver < 10 mA		
Load current		≤100mA		
Circuit protection		Power reverse direction connection protection		
Response time		<1ms		
Indicator light		Output LED:Orange LED、Power/stable: Green LED		
Connection		Cable 2m (PVC)		
Ambient temperature		Work:-25 ~ +55°C; Store: -40 ~ +70°C(No dew condensation or icing allowed)		
Ambient humidity		Work: 35 ~ 85%RH, Store: 35 ~ 95%RH, (No dew condensation)		
Ambient illumination		Sunlight: < 10,000Lx, lamplight: < 3,000Lx		
Withstand voltage		1000 VAC, 50/60 Hz, 1 min		
Insolation resistance		> 20MΩ (DC500V megger) between current-carrying parts and case		
Anti-vibration		10~55Hz double-amplitude 1.5mmX,Y,Z 2h		
Anti-impact		500m/S ² X, Y,Z , directions for 3 times		
Protection degree		IEC IP65		
Housing		PBT+ABS		
Material Lens mount		ABS		
Lens		PMMA		